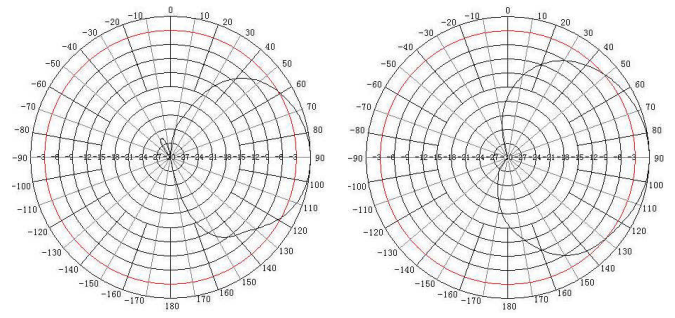


Antenna direttiva Radom Sheda Tecnica



Features

- LTE, GSM, 3G, WiMax, Wlan
- Low VSWR
- Support the popular communications system currently
- Sealed with radome, Strong protection ability
- Supplied with down-tilt bracket for mast mounting, a down-tilt bracket for wall mounting is optional



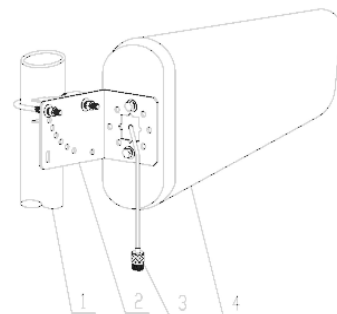
E plane

H plane

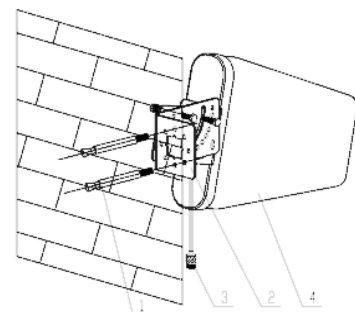
Specifications

Model	TDJ-0727DSAL-M		
Freq.Range-MHz	698-806	806-960	1710-2700
Beamwidth-°	E	65	50
	H	85	60
F/B Ratio-dB	≥15	≥18	≥18
Gain-dBi	7±0.5	8±0.5	9.5±1
VSWR	≤1.5		
Impedance-Ω	50		
Polarization	Vertical		
IM3-dBm(33dBm)	≤-107		
Max.Power-W	100		
Connector	N female or customized		
Dimensions (with bracket) -mm	293x210x65		
Weight(without bracket)-Kg	0.92		
Mast Diameter-mm	φ40 to 50		
Note:When installing, you should let the side with a little hole face down to prevent the antenna radome from water.			

Installation Sketch



Mast Mounting



Wall Mounting

1. Mast(user-provide) or expansion bolt;
2. "L" mounting kit;
3. connector;
4. antenna